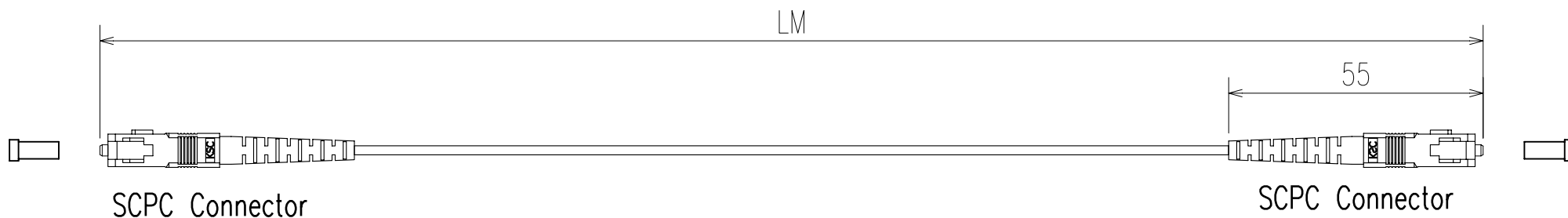




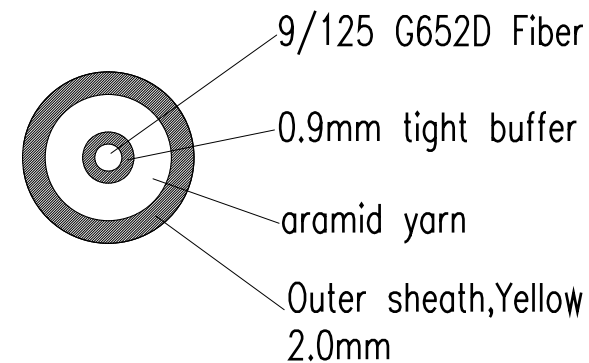
Name	Patch Cord	Specification	SCPC-SCPC-SM-S-LM-2.0mm	File NO.	SD-P00124	Version	REV.01
------	------------	---------------	-------------------------	----------	-----------	---------	--------

Description: SCPC to SCPC Single-mode Simplex 2.0mm patch cord.



Connector Housing and Boot Color

Connector Type	Housing Color	Boot Color
SC 2.0mm Connector	Blue	Blue
SC 2.0mm Connector	Blue	Blue



Note:

- 1.Fiber cable according to IEC 60793-2;
- 2.End surface test is according to WI-QJ-021;
- 3.Test standard:IL≤0.3dB,RL>50dB;
- 4.ROHS Compliant.

LENGTH(L)	TOLERANCE
L≤1M	+50mm/0
1M<L≤3M	+100mm/0
3M<L≤10M	±100mm
10M<L≤30M	±150mm
L>30M	±200mm